

Cotton Candy Cart

CC2-SCCC

Cotton candy is a favorite of young and old. Inexpensive to make, cotton candy is a proven money-maker — just like the Carts of Colorado Cotton Candy Cart. Let us design eye-catching custom graphics for you that will grab customers young, old and in between.

Standard Features:

- Stainless steel countertop, trim and poles
- Stainless steel and glass countertop protector
- 6 in casters (2 swivel w/side brakes, 2 rigid)
- Locking storage compartments
- Meets NSF & UL standards
- Half-round awning with Sunbrella® fabric cover in blue/red/green/burgundy standard colors
- Standard laminate panels in blue/red/green/burgundy
- Standard sink system:
 - 5-gallon fresh water tank
 - 7.5-gallon waste water tank
 - 120-volt water pump
 - Electric water heater
 - Double basin hand sink
 - High/low water level indicator
- Fresh-water fill hose
- Black rubber caster skirt
- Stainless steel drop deck for optional cotton candy equipment
- Base electrical: 120 volts, 20 amps

Optional Features:

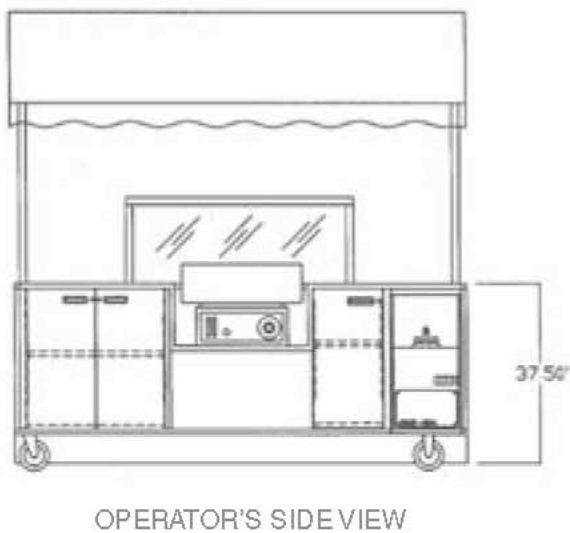
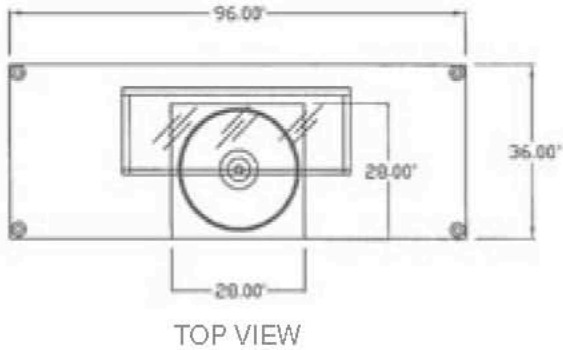
- Fabric caster skirt (to match awning color)
- Stainless steel push bar
- Cotton candy machine
- Custom graphics applied to Lexan® panels
- Special equipment and enclosures to meet area health-code requirements — check with your local health department for specific requirements



Cotton Candy Cart shown with standard laminate panels and optional cotton candy machine.

Cotton Candy Cart

CC2-SCCC



NOTE: Actual power to be determined by equipment/options.

The dimensions given are reference dimensions only. Critical dimensions should be brought to the attention of the salesperson. Due to a continuous program of product improvement, Carts of Colorado reserves the right to make product changes without notice.

Installation of electrical at site not included. Buyouts provided by others do not include electrical outlets unless specified on drawing. Electrical of over 120 volts/20 amps does not include cord or cap.

This document contains information that is confidential and proprietary to Carts of Colorado and shall not be reproduced or transferred to other documents or disclosed to others or used for any purpose other than that for which it was obtained without the expressed written consent of Carts of Colorado.

It is recommended that local building, health and zoning codes be researched prior to ordering. Due to a continuous program of product improvement, Carts of Colorado reserves the right to make changes in design and in specifications without notice.



5420 S. Quebec St.
Suite 204
Greenwood Village, CO 80111
(303) 329-0101
(800) 227-8634
Fax: (303) 329-6577
www.carts of colorado.com
sales@carts of colorado.com